

## Fully automatic top sheet dispensers TF/ITF

**Applies plastic film on top  
of palletized goods.**





## TF/ITF

Top sheet dispensers in fully automatic production line types TF or integrated into stretchwrapper GL 2000 type ITF

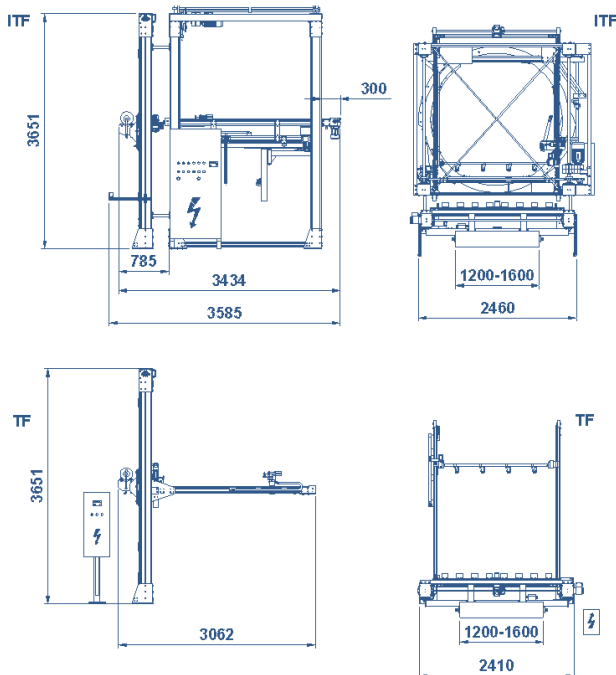


For extra water protection, the production line can be fitted with equipment which, together with the Cyklop stretchwrapper, will also meet this requirement.

The Cyklop top film dispenser TF is usually included in a fully automatic line next to a stretchwrapper when palletized goods need protection from dust or dampness on top. The machine is easy to fit and made of aluminium.

A programmable logic control system and frequency converters make the machine highly flexible and easy to customize.

The top film dispenser ITF is fully integrated into the GL 2000 when it comes to electricity, pneumatics and programs.



## Specification

**Capacity:** approx 50-85 pallets/h.

**Electricity:** 3x400 V+N+PE, 50 Hz.

**Pneumatics:** 6 bar.

**Film width:** 1200-1600 mm.

**Film length:** Max 1800 mm (ITF)

Max 1900 mm (TF)

Call us for further information

We reserve the right to technical changes

**CYKLOP**  
INTERNATIONAL

