



# CSM 212

STRETCH WRAPPER

**CYKLOP**<sup>®</sup>  
GLOBAL PACKAGING SOLUTIONS

STRAPPING  
WRAPPING  
CODING  
TAPING

The CSM 212 is a flexible mobile film wrapper. The wrapper can be moved to any desired location by means of a handle with operating buttons. The wrapper can handle any package size due to the flexible nature. Changing the film is very easy and fast on the film trolley. Operation is easy with touch keys. Because the machine is modular, the machine is suitable for both light and intensive use.

licht als intensief gebruik.

**Most important features:**

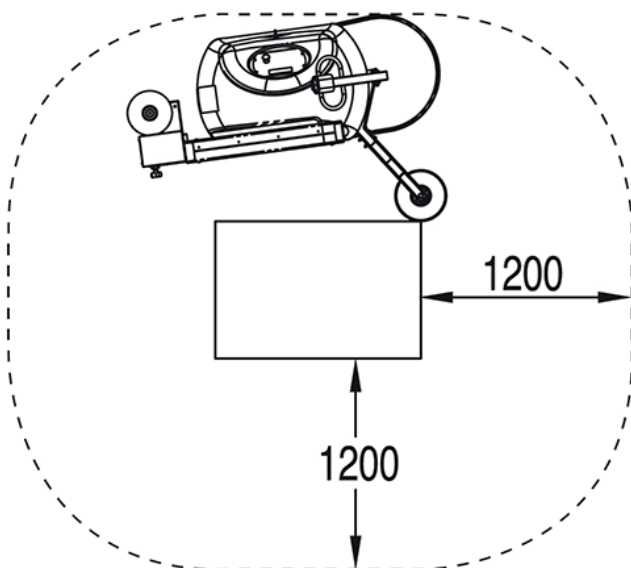
- Standard 6 wrapping programs
- Adjustable speed
- Adjustable film trolley speed
- Adjustable number of lower and upper windings
- Pallet height detection
- Wrapping up and down

**Options:**

- Extended mast
- Automatic cutting unit
- Expansion to 99 wrapping programs
- Other options on request



> [Click here for a video of the CSM 212](#) <



<b>Technical data:</b>	
Machine weight	325 kg
Wrapping height	2100 mm
Max. Prod. capacity	20 pallets/hour
	150 pallets per battery charge
Speed	60 meter/minute
Min. pallet dimensions	600 x 600 mm
Power supply	230 V, 50/60 Hz

Cyklop UK Limited  
 Unit 2, Generation Business Park  
 Barford Road  
 St. Neots  
 Cambridgeshire  
 PE19 6YQ

+44 1480 216777  
[www.cyklop.co.uk](http://www.cyklop.co.uk)  
[info@cyklop.co.uk](mailto:info@cyklop.co.uk)

